

A circular logo with a white border on a black background. Inside the circle, the letters 'FA' are written in a large, bold, white, stylized font. Below 'FA', the year '2012' is written in a smaller, white, sans-serif font.

FA
2012



kyle bennett



When it comes to BMX racing, we're all about winning. Our riders have chalked up more than a dozen UCI World Championships and countless National Championships. Free Agent / Rockstar team riders include a reigning UCI World Champion, two Worlds Silver Medalist, a UCI Worlds Bronze Medalist, and the reigning Olympic Gold Medalist. Is it time for you to start winning?



cristian becerine



maris strombergs



ROCKSTAR
ENERGY DRINK

FreeAgent Rockstar Racing Team



Follow the
Free Agent / Rockstar Team
Online at:

www.freeagentbmx.com

Click over to
www.freeagentbmx.com
for the latest team race reports,
videos, pics, clinic information,
and rider blogs!

dale holmes -
team manager

WWW.FREEAGENTBMX.COM



maris strombergs



TEAM LIMO

Frame: U6 Superlight Aluminum, oval chn stay, integrated H/T, CNC Drop Outs • Fork: Sinz Pro Carbon • Headset: FSA Orbit IS2 integrated, 1-1/8" • Handlebar: Free Agent CrMo Race • Stem: FA Pro Race, threadless, alloy 4-bolt • Crankset: New Free Agent Team Race Crank, Alloy Hollow Forged 2pc, 44T chainring • BB: Outboard Cartridge Bearing, Euro Cups w/2-pc integrated spindle & right arm • Rims: Sun Maris Signiture series Envy Front doublewall, Envy rear double wall w/CNC sidewalls, w/eyelets, Gold Anodized • Hubset: Free Agent Team, Sealed cartridge bearing w/cassette rear and hollow axles • Tires: Kenda Konversion 20x1.95/1.65", 100PSI • Brake Levers: Free Agent Team • Brakes (R): Tektro linear pull • Saddle: Velo Miles Racing, Padded • Seatpost: Q2 Carbon • Color: Black/White/Gold

Racing

TEAM LIMO24



Frame: U6 Superlight Aluminum, oval chn stay, integrated H/T, CNC Drop Outs • Fork: Sinz Pro Carbon • Headset: FSA Orbit IS2 integrated, 1-1/8" • Handlebar: Free Agent CrMo Cruiser • Stem: FA Pro Race, threadless, alloy 4-bolt • Crankset: New Free Agent Team Race Crank, Alloy Hollow Forged 2pc, 41T chainring • BB: Outboard Cartridge Bearing, Euro Cups w/2-pc integrated spindle & right arm • Rims: Sun Maris Signiture series Envy Front doublewall, Envy rear double wall w/CNC sidewalls, w/eyelets, Gold Anodized • Hubset: Free Agent Team, Sealed cartridge bearing w/cassette rear and hollow axles • Tires: Kenda Konversion, 24x1.95/1.75", 100PSI • Brake Levers: Free Agent Team • Brakes (R): Tektro linear pull • Saddle: Velo Miles Racing, Padded • Seatpost: Q2 Carbon • Other Features: Chain Tensioner • Color: Black/White/Gold



Frame: 6061 Aluminum, Integrated H/T, Custom Hydroformed D/T, CNC drop-outs • Fork: Sinz Prolite Carbon • Headset: FSA Orbit IS2 integrated, 1-1/8" • Stem: FA Jr/Expert Race, Alloy 4-bolts • Grips: New Free Agent Expert • Crankset: Free Agent 3-pc alloy, 170mm, 42T • Pedals: Free Agent alloy platform • Tires: Tioga Power Block 20x 1-3/8" • Brakes (R): FA CNC Linear Pull, Long Adj for 1 3/8 and 1.5" wheel • Saddle: Free Agent Race padded • Color: Black/White/Gold

TEAM EXPERT



Racing



kyle bennett

TEAM JUNIOR

Frame: 6061 Aluminum, Integrated H/T, Custom Hydroformed D/T, CNC drop-outs • Fork: Sinz Mini Carbon • Headset: FSA IS-2A, Integrated, Threadless, 1" • Stem: FA Jr/Expert Race, Alloy 4-bolts • Grips: New Free Agent Mini/Jr • Crankset: Free Agent 3-pc alloy, 155mm, 42T • Tires: Tioga Power Block 20x1-3/8" • Saddle: Free Agent Integrated saddle and seatpost • Color: Black/White/Gold



TEAM MINI

- Frame: 6061 Aluminum, Integrated H/T, Custom Hydroformed D/T, CNC drop-outs
- Fork: Sinz Mini Carbon
- Headset: FSA IS-2A, Integrated, Threadless, 1"
- Stem: FA Micro/Mini Race, Alloy 4-bolts
- Grips: New Free Agent Mini/Jr
- Crankset: Free Agent 3-pc alloy, 145mm, 38T
- Tires: Tioga Power Block 20x1-1/8
- Color: Black/White/Gold



- Frame: 6061 Aluminum, Integrated H/T, Custom Hydroformed D/T, CNC drop-outs
- Fork: Sinz Mini Carbon
- Headset: FSA IS-2A, Integrated, Threadless, 1"
- Stem: FA Micro/Mini Race, Alloy 4-bolts
- Grips: New Free Agent Mini/Jr
- Crankset: Free Agent 3-pc alloy, 130mm, 36T
- Tires: Tioga Power Block 20x1-1/8 Freewheel / Cassette 14T cassette
- Brake Levers: Free Agent Race
- Brakes (R): Free Agent linear pull alloy
- Color: Black/White/Gold

TEAM MICRO



BMX SERIES



AMBUSH 24

- Frame: Double butted 6061 Aluminum w/custom formed TT,CNC drop-outs • Fork:FA Crmo steerer, tapered leg • Handlebar: Free Agent Cruiser • Stem:FA BMX Threadless, Alloy 4-bolt
- Crankset: FA 3-pc hollow Crmo, 175mm, 42T chainwheel
 - Pedals: Alloy platform CrMo axle
 - Rims: Weinmann alloy, CNC rear sidewalls
 - Tires: Kenda K-Rad 24X1.95/1.75"
 - Brake Levers: Free Agent Race
 - Brakes (R):Tektro linear pull
 - Saddle: Free Agent Race padded
 - Seatpost: Free Agent Alloy micro-adjust
- Color: Gloss Black, Flat Plum Tuckered



Race/BMX

SPEEDWAY



Frame: Double butted 6061 Aluminum w/custom formed TT, Square Chainstays, CNC drop outs, 21" TT • Fork: FA tapered leg • Handlebar: Free Agent CrMo race • Stem: FA BMX Threadless, Alloy 4-bolt • Crankset: FA 3-pc hollow Crmo, 175mm, 44T chainwheel • Pedals: Alloy platform CrMo axle • Rims: Weinmann Discovery D/Wall R: machined sidewalls • Hubset FA alloy, Cassette • Tires: Tioga Power Block 20x1.95/1.6 • Brake Levers: Free Agent Race • Brakes (R): Tektro linear pull • Saddle: Free Agent Race padded • Seatpost: Free Agent Alloy micro-adjust • Other Features: Chain Tensioner • Color: Gloss Red



ELUDER



Frame: Double butted 6061 Aluminum w/custom formed TT, Square Chainstays, CNC drop-outs, 20.5" TT • Handlebar: Free Agent BMX • Stem: FA BMX Threadless, Alloy 4-bolt • Grips: Free Agent • Crankset: FA 3-pc hollow Crmo, 175mm, 44T chainwheel • Pedals: Alloy platform CrMo axle • Rims: Weinmann alloy • Tires: Kenda Small Block 8 20X1.95/1.75" • Brake Levers: Free Agent Race • Brakes (R): Tektro linear pull • Saddle: Free Agent BMX padded, low profile • Seatpost: Free Agent Alloy micro-adjust • Color: Gloss Black, Flat See Blue



BMX



MAVERICK

- Frame: 1-Tube CrMo
- Fork: FA tapered leg
- Handlebar: Free Agent BMX
- Stem: FA BMX Threadless, Alloy 4-bolt
- Grips: Free Agent
- Crankset: FA 3-pc hollow Crmo, 175mm, 39T chainwheel
- Rims: Weinmann alloy
- Tires: Kenda K-Rad 20x2.125 / 1.75"
- Brake Levers: Free Agent alloy
- Saddle: Free Agent BMX padded, low profile
- Seatpost: Free Agent Alloy
- Color: Gloss Black, Gray, Sub Lime





CHAMPAL

- Frame: Alloy 6061, Jr. size
- Fork: FA tapered leg
- Headset: Treadless 1-1/8"
- Handlebar: Free Agent Junior
- Stem: FA BMX Threadless, Alloy 4-bolt
- Grips: New Free Agent Expert
- Crankset: 3-pc Alloy Cotterless, 140mm, 36T chainwheel
- Rims: Weinmann alloy
- Hubset: Free Agent
- Tires: Free Agent Knobby 20x1.75"
- Brake Levers: Free Agent alloy
- Brakes (R): Alloy linear pull
- Saddle: FA padded
- Seatpost: Free Agent Alloy
- Color: Gloss Blue



CHAMP

- Frame: Jr. size
- Fork: FA tapered leg
- Handlebar: Free Agent Junior
- Grips: New Free Agent Expert
- Crankset: 1-pc forged 5-1/2", 36T chainwheel
- Pedals: Nylon Platform
- Rims: Weinmann alloy
- Tires: Free Agent Knobby 20x1.75"
- Brake Levers: Free Agent alloy
- Brakes (R): Alloy linear pull, coaster rear
- Saddle: Free Agent Padded
- Seatpost: Free Agent Alloy
- Color: Gloss Red, Sub Lime, Satin Black, Girls: Magenta





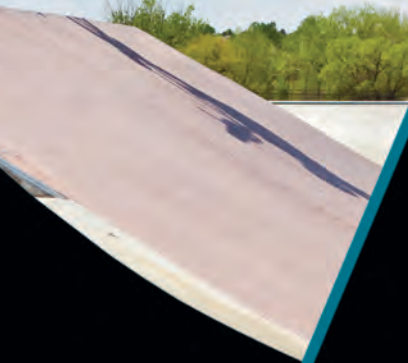
mike dies



ROCKSTAR
ENERGY DRINK



heath pinter



brett walker

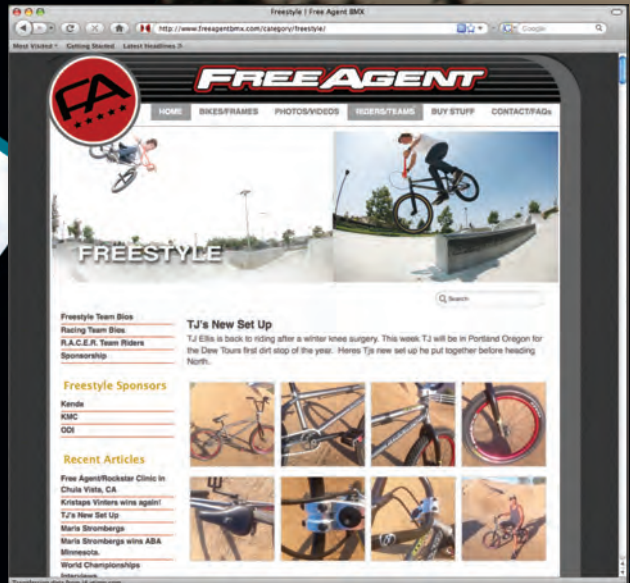


Road trips. Videos. Tours. Backyard jams. Bike testing. That's what the Free Agent / Rockstar Freestyle team is all about. They're also the backbone behind the all new freestyle lineup from Free Agent.



Free Agent Freestyle Team

tj ellis



Follow the
Free Agent / Rockstar Team
Online at:
www.freeagentbmx.com

Click over to www.freeagentbmx.com
for the latest team race reports, videos, pics, clinic
information, and rider blogs!

WWW.FREEAGENTBMX.COM

Street Trail



brett walker

LODUS

Frame: New design Full CrMo, integrated HT, 6mm dropouts, 20.80" TT, Mid BB, removable brake posts & cable stop, integrated seat clamp • Fork: FA full CrMo tapered leg • Headset: FSA Impact Integrated • Handlebar: New FA Design CrMo 8" x 28" w/tapered X-Bar • Stem: New Free Agent Team Top Load • Crankset: FA Mid 3-pc hollow CrMo, 175mm, FA 25T alloy chainwheel • Pedals: New Free Agent Platform, Smoke • Rims: Alienation PBR ft 36h, Black Sheep DbI Wall rr 36h • Hubset: FA alloy ft 3/8", alloy S/B 14mm rear w/9T driver • Tires: Kenda Kamel Toe 20x2.25" ft / Contact 20x1.95" rear • Brake Levers: Tektro • Brakes (R): Tektro U-Brake • Saddle: Free Agent Padded Pivotal • Seatpost: FA Thermalite Nylon Pivotal • Color: Satin Black



Park



TELUM

Frame: New design 3-main Crmo, integrated headtube, w/6mm dropouts, 20.5" TT, Mid BB, removable brake posts & cable stop, integrated seat clamp • Fork: FA heavy duty tapered leg w/Crmo steerer • Headset: FSA Impact Integrated • Handlebar: New FA Design CrMo 8" x 28" w/tapered X-Bar • Stem: New Free Agent Alloy Top Load • Crankset: FA Mid 3-pc hollow Crmo, 175mm, FA 25T alloy chainwheel • Chain: KMC Z410 • Pedals: New Free Agent Platform, Smoke • Hubset: FA alloy ft 3/8", alloy rr w/9T driver 14mm axle • Tires: Kenda Kamel Toe 20x2.25" ft / Kontakt 20x1.95" rear • Brake Levers: Tektro • Brakes (R): Tektro U-Brake • Saddle: Free Agent, Padded Pivotal • Seatpost: FA Thermalite Nylon Pivotal • Other Features: Long Linear Cable • Color: Satin Gray, Chrome



VOLO

Frame: New design 18" with Crmo D/T, 6mm dropouts, integrated seat clamp • Fork: FA 18" heavy duty tapered leg w/Crmo steerer • Stem: New Free Agent Alloy Top Load • Grips: Free Agent • Crankset: FA 3-pc hollow Crmo, 152mm, 25T FA chainwheel • Rims: Weinmann Viper Alloy, 18X1.75 • Hubset: Free Agent Alloy, F:3/8, R: 14mm • Tires: Kenda Kontakt, 18x2.0 • Brake Levers: Tektro • Brakes (R):Tektro U-Brake • Saddle: Free Agent Padded Jump w/8mm rail, low profile • Other Features: Long Linear Cable • Color: Satin Griz Gray



Trail



heath pinter

RATIO



Frame: New Full CrMo, Mid BB, new design w/integrated head-tube & integrated seat clamp • Fork: FA full Crmo tapered leg
• Headset: FSA Impact Integrated • Handlebar: Free Agent CrMo Cruiser, 700x130mm • Stem: New Free Agent Alloy Top Load
• Crankset: Free Agent Mid 3-pc hollow CrMo, 175mm, FA 21T chainwheel • Pedals: New Free Agent Platform, Smoke
• Rims: Weinmann F: Viper, R: Bravia D/Wall, 24" • Hubset: FA alloy ft 3/8", alloy rr w/9T driver 14mm axle • Tires: Kenda K-Rad 24x2.3" ft / 24x1.95" rear • Brake Levers: Tektro
• Brakes (R): Tektro U-Brake • Saddle: Free Agent Padded Jump w/8mm rail, low profile • Seatpost: Free Agent
• Other Features: Long Linear Cable • Color: Gloss Black





LUMEN



Frame: New design with Crmo D/T, integrated headtube, Mid BB, 6mm dropouts, 20.5" TT, integrated seat clamp • Fork: FA heavy duty tapered leg • Headset: FSA Impact Integrated • Stem: New Free Agent Alloy Top Load • Grips: Free Agent • Crankset: FA Mid 3-pc hollow Crmo, 175mm, FA 25T chainwheel • Pedals: New Free Agent Platform, Smoke • Rims: Weinmann F: Viper, R: Bravia D/Wall, 20" • Hubset: FA alloy ft 3/8", alloy rr w/9T driver 14mm axle • Tires: Kenda K-Rad 20x2.125" ft / Kikzumbut 20x1.95" rear street • Brake Levers: Tektro • Brakes (R): Tektro U-Brake • Saddle: Free Agent Padded Jump w/8mm rail, low profile • Other Features: Long Linear Cable • Color: Satin Black, Flat See Blue



VERGO

Frame: New design with Crmo D/T, integrated headtube, 6mm dropouts, 20" TT, integrated seat clamp • Fork: FA heavy duty tapered leg • Headset: FSA Impact Integrated • Handlebar: FA Jump, 8" rise x 28" wide • Stem: New Free Agent Alloy Top Load • Crankset: FA 3-pc hollow Crmo, 170mm, 25T FA chainwheel • Rims: Weinmann F: Viper, R: Bravia D/Wall, 20" • Hubset: FA ft 3/8", alloy rr w/9T driver 14mm axle • Tires: Kenda K-Rad 20x2.125" ft / Kikzumbut 20x1.95" rear street • Brake Levers: Tektro • Brakes (R): Tektro U-Brake • Saddle: Free Agent Padded Jump w/8mm rail, low profile • Other Features: Long Linear Cable • Color: Satin Black, Flat Vegas Red, Gloss White



NOVUS

Frame: New design, 6mm dropouts, 20" TT, integrated seat clamp • Fork: FA heavy duty tapered leg • Handlebar: FA Jump, 8" rise x 28" wide • Stem: New Free Agent Alloy Top Load • Grips: Free Agent • Crankset: FA 3-pc hollow Crmo, 170mm, 34T FA chainwheel • Rims: Weinmann Alloy 20" • Tires: Kenda K-Rad 20x2.125" ft / Kikzumbut 20x1.95" rear street • Saddle: Free Agent Padded Jump w/8mm rail, low profile • Other Features: Long Linear Cable • Color: Satin Black, Flat Orange Pulp



Youth



SPEEDY

Frame: 16" Double Diamond design, Lower standover height • Fork: FA tapered leg • Handlebar: BMX steel, 560mm • Stem: BMX Alloy • Grips: New Free Agent Mini/Jr • Crankset: 1-pc forged 4-1/2", 36T chainwheel • Rims: Alloy, 28h • Tires: Kenda Kontakt, 16x1.75" • Brakes (R): Coaster • Saddle: FA Jr. padded • Other Features: Bell, training wheels, handlebar pad • Color" Gloss Red, Gloss Black



LIL'SPEEDY

Frame: 12" Double Diamond design, Lower standover height • Fork: FA tapered leg • Handlebar: BMX steel Blk 500mm • Stem: BMX alloy • Grips: New Free Agent Mini/Jr • Crankset: 1-pc forged 3-1/2", 28T chainwheel • Rims: Alloy, 16h • Hubset: Steel/Coaster • Tires: Kenda Kontakt, 12x2.125" • Brakes (R): Coaster • Saddle: FA Jr. padded • Other Features: Bell, training wheels, handlebar pad • Color: Gloss Red, Gloss Blue



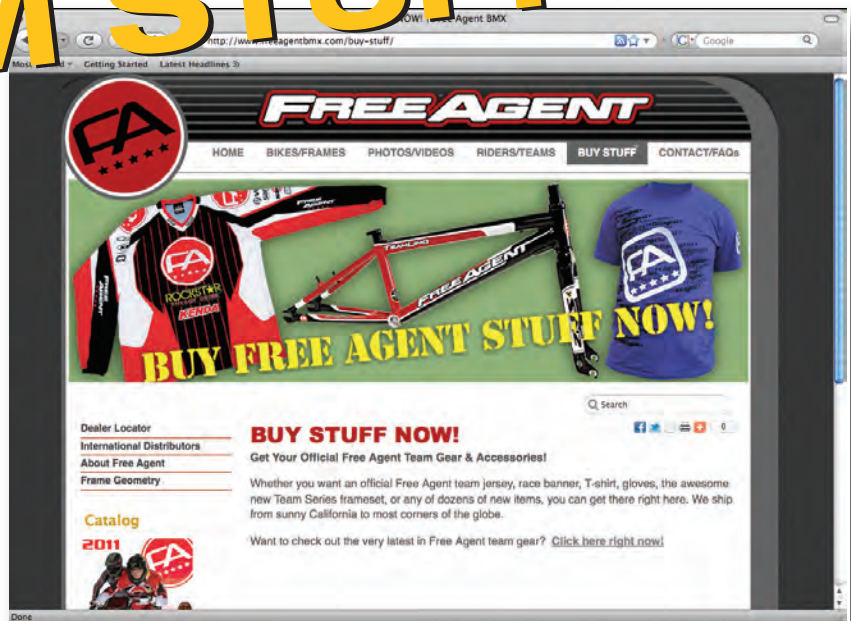
Buy Stuff



BUY OFFICIAL FREE AGENT TEAM STUFF!

Looking for a Free Agent team jersey? Maybe the official team helmet? How about some tee shirts, hats, or hoodies? Or maybe you want to buy the official team frameset. You know, the one Olympic Gold Medalist Maris Strombergs rides.

Get it all, and get it now, at the Free Agent store online. Check it out at www.freeagentbmx.com to get your gear today!



Free Agent bicycles are marketed by more than 30 international distributors around the world. Please visit: www.freeagentbmx.com for a complete and up-to-date list.



WWW.FREEAGENTBMX.COM

R.A.C.E.R.



A Program for Regional Area Competitors, Enthusiasts and Racers

Program Information:

The Free Agent R.A.C.E.R. Program is a “grassroots” racing program open to any individual that would like to apply. The program is designed to help energetic up-and-coming racers with sponsorship and racing incentives. The program is for active racers who wish to compete during the season on new, current model year Free Agent racing bicycles. Discounts are given on the purchase of new bikes and accessories. Racers must also adhere to the conditions set forth by the program. All riders must be approved by Free Agent to join.

How It Works:

Program participants are allowed to purchase qualifying Free Agent racing bicycles and framesets at a significant discount off the MRSP. This program will work in conjunction with your local bike shop. Bikes are shipped to participating dealers who assemble the bicycle before you pick it up.

Free Agent R.A.C.E.R. Classification

Racer Group 1: Girls, Experts, Pros*
Racer Group 2: Novice, Beginner, Intermediate classes*
* – As determined by ABA or NBL classification

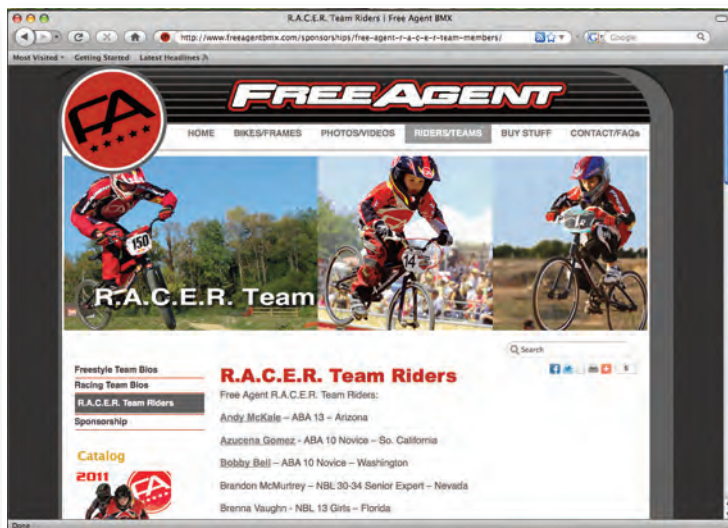
Free Agent R.A.C.E.R. Program Benefits

- 1) PURCHASE DISCOUNTS off qualifying Free Agent racing bicycles.
- 2) FREE Free Agent uniform (2 jerseys), T-shirt and hat.
- 3) Exposure and publicity on Free Agent website.
- 4) Chance to move up to the Free Agent factory team.

Free Agent R.A.C.E.R. Participation Conditions

- 1) You must be an NBL or ABA member.
- 2) Qualifying Free Agent bike must be ridden at all events.
- 3) Free Agent jersey must be worn during all events.
- 4) Riders must adhere to Free Agent R.A.C.E.R. Code of Conduct.
- 5) Riders must submit racing results at the end of the year.
- 6) Riders must sign application accepting Free Agent R.A.C.E.R. terms and conditions.
- 7) Free Agent may revoke sponsorship at any time.

Log into www.freeagentbmx.com for more details.



Racer Clinics



Want to move from mid-pack to the podium? Want to have to build a bigger trophy case? Then sign up for one of the Free Agent Race Clinics near you!

Run by pro racers and champion riders like Maris Strombergs, Cristian Becerine, Kyle Bennett and Dale Holmes, it's your chance to not only hang with the pros, but learn from them, too.

Clinics cover the full BMX "101" along with personalized training tips you can use at your home track. Clinics cover things like faster gate starts, cornering, speed jumping, passing, and advanced race strategy.

Clinics are added all the time, so keep checking the official Free Agent / Rockstar Team website at www.freeagentbmx.com to see when a clinic is coming to your home town!



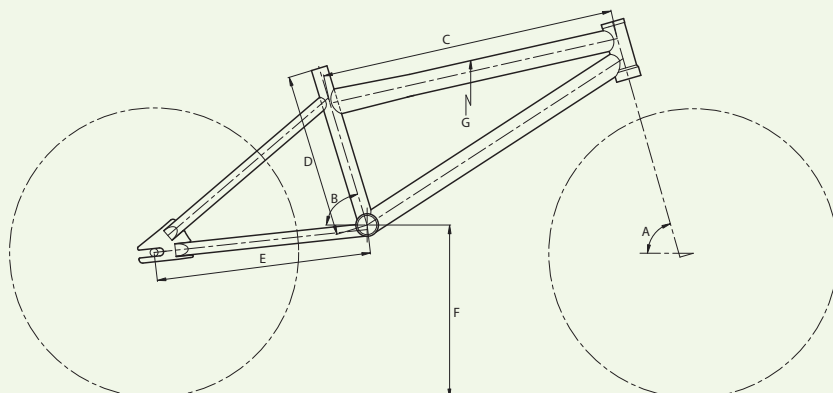
WWW.FREEAGENTBMX.COM

Specifications

Model	Team Limo	Team Limo 24	Team Expert	Team Junior	Team Mini	Team Micro	Lodus	Telum	Valo
Frame	UG Superlight Aluminum, oval chn stay, integrated H/T, CNC Drop Outs	UG Superlight Aluminum, oval chn stay, integrated H/T, CNC Drop Outs	6061 Aluminum, Integrated H/T, CNC drop-outs	6061 Aluminum, Integrated H/T, Custom formed D/T, CNC drop-outs	6061 Aluminum, Integrated H/T, Custom formed D/T, CNC drop-outs	6061 Aluminum, Integrated H/T, Custom formed D/T, CNC drop-outs	New design Full Crmo, integrated H/T, 6mm dropouts, 22.80° TT, Mid BB, removable brake posts & cable stop, integrated seat clamp	New design 3-main Crmo, integrated headtube, w/6mm dropouts, 20.5° TT, Mid BB, removable brake posts & cable stop, integrated seat clamp	New design 18" with Crmo D/T, 6mm dropouts, integrated seat clamp
Fork	Sinz Pro Carbon	Sinz Pro Carbon	Sinz Profile Carbon	Sinz Mini Carbon	Sinz Mini Carbon	Sinz Mini Carbon	FA full Crmo tapered leg	FA heavy duty tapered leg w/Crmo steerer	FA 18" heavy duty tapered leg w/Crmo steerer
Headset	FSA Orbit IS2 Integrated, 1-1/8"	FSA Orbit IS2 Integrated, 1-1/8"	FSA Orbit IS2 Integrated, 1-1/8"	FSA IS-2A, Integrated, Threadless, 1"	FSA IS-2A, Integrated, Threadless, 1"	FSA IS-2A, Integrated, Threadless, 1"	FSA Impact Integrated	FSA Impact Integrated	A-head 1-1/8"
Handlebar	Free Agent CrMo Race	Free Agent CrMo Cruiser	Free Agent Alloy Expert	Free Agent Alloy Jr	Free Agent Alloy Mini	Free Agent Alloy Micro	New FA Design CrMo 8" x 28" w/tapered X-Bar	New FA Design CrMo 8" x 28" w/tapered X-Bar	Free Agent Jump Jr.
Stem	FA Pro Race, threadless, alloy 4-bolt	FA Pro Race, threadless, alloy 4-bolt	FA Jr/Expert Race, Alloy 4-bolts	FA Jr/Expert Race, Alloy 4-bolts	FA Micro/Mini Race, Alloy 4-bolts	FA Micro/Mini Race, Alloy 4-bolts	New Free Agent Team Top Load	New Free Agent Alloy Top Load	New Free Agent Alloy Top Load
Grips	Free Agent	Free Agent	New Free Agent Expert	New Free Agent Mini/Jr	New Free Agent Mini/Jr	New Free Agent Mini/Jr	Free Agent	Free Agent	Free Agent
Crankset	New Free Agent Team Race Crank, Alloy Hollow Forged 2pc, 41T chaining	New Free Agent Team Race Crank, Alloy Hollow Forged 2pc, 41T chaining	Free Agent 3-pc alloy, 170mm, 42T	Free Agent 3-pc alloy, 155mm, 42T	Free Agent 3-pc alloy, 145mm, 38T	Free Agent 3-pc alloy, 130mm, 36T	FA Mid 3-pc hollow Crmo, 175mm, FA 25T alloy chainwheel	FA Mid 3-pc hollow Crmo, 152mm, 25T alloy chainwheel	FA 3-pc hollow Crmo, 152mm, 25T FA chainwheel
BB	Outboard Cartridge Bearing, Euro Cups w/2-pc integrated spindle & right arm	Outboard Cartridge Bearing, Euro Cups w/2-pc integrated spindle & right arm	Cartridge, square taper, Euro	Cartridge, square taper, Euro	Cartridge, square taper, Euro	Cartridge, square taper, Euro	Mid cartridge bearings, 8 splined, hollow axle	Mid cartridge bearings, 8 splined, hollow axle	3-pc ball bearing, 8-splined
Chain	KMC Z30	KMC Z30	KMC Z30	KMC Z30	KMC Z30	KMC Z30	KMC Z410	KMC Z410	KMC Z410
Pedals	Free Agent alloy, w/ pins	Free Agent alloy, w/ pins	Free Agent alloy platform	Free Agent mini alloy platform	Free Agent mini alloy platform	Free Agent mini alloy platform	Free Agent Platform, Smoke	Free Agent Platform, Smoke	Nylon platform Jr
Rims	Sun Maris Signature series Envoy (F) dtlwall, Envoy (R) dtlwall w/CNC sidewalls, w/eyelets, Gold Anodized	Sun Maris Signature series Envoy (F) dtlwall, Envoy (R) dtlwall w/CNC sidewalls, w/eyelets, Gold Anodized	Weinmann Semi-Aero, Alloy, dtlwall, R: CNC S/W	Weinmann Semi-Aero, Alloy, dtlwall, R: CNC S/W	Weinmann Semi-Aero, Alloy, dtlwall, R: CNC S/W	Weinmann Semi-Aero, Alloy, dtlwall, R: CNC S/W	Alienation PBR ft 36h, Black Sheep dtlwall rr 36h	Weinmann F: Viper, R: Bravia dtlwall, 20"	Weinmann Viper Alloy, 18X1.75
Hubset	Free Agent Team, Sealed cartridge bearing w/cassette rear and hollow axles	Free Agent Team, Sealed cartridge bearing w/cassette rear and hollow axles	FA alloy, Cassette, Sealed Mech	FA alloy, Cassette, Sealed Mech	FA alloy, Cassette, Sealed Mech	FA alloy, Cassette, Sealed Mech	FA alloy ft 3/8", alloy S/B 14mm rear w/ST driver	FA alloy ft 3/8", alloy rr w/ST driver 14mm axle	Free Agent Alloy, F:3/8, R: 14mm
Spokes	14G Blk 32x32	14G Blk 32x32	14G Blk, 28x28 w/alloy nipples	15G Blk, 24x28 w/alloy nipples	15G Blk, 24x24 w/alloy nipples	15G Blk, 24x24 w/alloy nipples	14G BLK, 36x36	14G BLK, 36x36	14G BLK, 36x36
Tires	Kenda Konversion 20x1.95/1.85", 100PSI	Kenda Konversion, 24x1.95/1.75", 100PSI	Tioga Power Block 20x1-3/8"	Tioga Power Block 20x1-3/8"	Tioga Power Block 20x1-1/8"	Tioga Power Block 20x1-1/8"	Kenda Kamel Toe 20x2.25" R / Kontakt 20x1.95" rear	Kenda Kamel Toe 20x2.25" R / Kontakt 20x1.95" rear	Kenda Kontakt, 18x2.0
Freewheel/Cassette	16T Cassette	18T Cassette	16T Cassette	16T Cassette	14T cassette	14T cassette	9T Driver	9T Driver	13T Freewheel
Brake Levers	Free Agent Team	Free Agent Team	Free Agent Race	Free Agent Race	Free Agent Race	Free Agent Race	Tektro	Tektro	Tektro
Brakes	Tektro linear pull	Tektro linear pull	FA CNC Linear Pull, Long Adj for 1 3/8 and 1.5" wheel	Free Agent linear pull alloy	Free Agent linear pull alloy	Free Agent linear pull alloy	Tektro U-Brake	Tektro U-Brake	Tektro U-Brake
Saddle	Velo Miles Racing, Padded	Velo Miles Racing, Padded	Free Agent Race padded	Free Agent Integrated saddle and seatpost	Free Agent Integrated saddle and seatpost	Free Agent Integrated saddle and seatpost	Free Agent Padded Pivotal	Free Agent, Padded Pivotal	Free Agent Padded Jump w/8mm rail, low profile
Seatpost	Q2 Carbon	Q2 Carbon	Free Agent Alloy micro-adjust	Free Agent Alloy 22.2mm Integrated	Free Agent Alloy 22.2mm Integrated	Free Agent Alloy 22.2mm Integrated	FA Thermalite Nylon Pivotal	FA Thermalite Nylon Pivotal	Free Agent
Other Features	Chain Tensioner	Chain Tensioner	Chain Tensioner	Chain Tensioner	Chain Tensioner	Chain Tensioner	Long Linear Cable	Long Linear Cable	Long Linear Cable
Color	Black/White/Gold	Black/White/Gold	Black/White/Gold	Black/White/Gold	Black/White/Gold	Black/White/Gold	Satin Black	Satin Gray, Chrome	Satin Griz Gray

Model	Champ	Speedy	Lil Speedy
Frame	Jr.size	16" Double Diamond design, Lower stand-over height	12" Double Diamond design, Lower stand-over height
Fork	FA tapered leg	FA tapered leg	FA tapered leg
Headset	Steel, Black	Steel, Black	Steel, Black
Handlebar	Free Agent Junior	BMX steel, 560mm	BMX steel Blk 500mm
Stem	FA Quill, Alloy 4-bolt	BMX Alloy	BMX alloy
Grips	New Free Agent Expert	New Free Agent Mini/Jr	New Free Agent Mini/Jr
Crankset	1-pc forged 5-1/2", 36T chainwheel	1-pc forged 4-1/2", 36T chainwheel	1-pc forged 3-1/2", 28T chainwheel
BB	1-pc ball bearing	1-pc ball bearing	1-pc ball bearing
Chain	KMC Z410	KMC Z410	KMC Z410
Pedals	Nylon Platform	Nylon platform Jr	Nylon platform Jr
Rims	Weinmann alloy	Alloy, 28h	Alloy, 16h
Hubset	Steel/Coaster	Steel/Coaster	Steel/Coaster
Spokes	14G Black 28x28	14G Black 28x28	14G Black 16x16
Tires	Free Agent Knobby 20x1.75"	Kenda Kontakt, 18x1.75"	Kenda Kontakt, 12x2.125"
Freewheel/Cassette	16T cog	18T cog	18T cog
Brake Levers	Free Agent alloy	N/A	N/A
Brakes	Alloy linear pull, coaster rear	Coaster	Coaster
Saddle	Free Agent Padded	FA Jr. padded	FA Jr. padded
Seatpost	Free Agent Alloy	Free Agent, 25.4x200mm	Free Agent, 25.4x200mm
Other Features		Bell, training wheels, handlebar pad	Bell, training wheels, handlebar pad
Color	Gloss Red, Sub Lime, Satin Black, Girls: Magenta	Gloss Red, Gloss Black	Gloss Red, Gloss Blue

frame geometry



Model	Ratio	Lumen	Vergo	Novus	Ambush 24	Speedway	Eluder	Maverick	Champ AL
Frame	New Full CrMo, Mid BB, new design w/integrated headtube & integrated seat clamp.	New design with Crmo D/T, integrated headtube, Mid BB, 6mm dropouts, 20.5" TT, integrated seat clamp	New design with Crmo D/T, integrated headtube, 6mm dropouts, 20" TT, integrated seat clamp	New design, 6mm dropouts, 20" TT, integrated seat clamp	Double butted 6061 Aluminum w/custom formed TT, CNC drop-outs	Double butted 6061 Aluminum w/custom formed TT, Square Chainstays, CNC drop outs, 21" TT	Double butted 6061 Aluminum w/custom formed TT, Square Chainstays, CNC drop-outs, 20.5" TT	1-tube CrMo,	Alloy 6061, Jr. size
Fork	FA full Crmo tapered leg	FA heavy duty tapered leg	FA heavy duty tapered leg	FA heavy duty tapered leg	FA Crmo steerer, tapered leg	FA tapered leg	FA tapered leg	FA tapered leg	FA tapered leg
Headset	FSA Impact Integrated	FSA Impact Integrated	FSA Impact Integrated	Threadless 1-1/8	Treadless 1-1/8"	Treadless 1-1/8"	Treadless 1-1/8"	Treadless 1-1/8"	Treadless 1-1/8"
Handlebar	Free Agent CrMo Cruiser, 700x130mm	FA Jump, 8" rise x 28" wide	FA Jump, 8" rise x 28" wide	FA Jump, 8" rise x 28" wide	Free Agent Cruiser	Free Agent CrMo race	Free Agent BMX	Free Agent BMX	Free Agent Junior
Stem	New Free Agent Alloy Top Load	New Free Agent Alloy Top Load	New Free Agent Alloy Top Load	New Free Agent Alloy Top Load	FA BMX Threadless, Alloy 4-bolt	FA BMX Threadless, Alloy 4-bolt	FA BMX Threadless, Alloy 4-bolt	FA BMX Threadless, Alloy 4-bolt	FA BMX Threadless, Alloy 4-bolt
Grips	Free Agent	Free Agent	Free Agent	Free Agent	Free Agent	Free Agent	Free Agent	Free Agent	New Free Agent Expert
Crankset	Free Agent Mid 3-pc hollow CrMo, 175mm, FA 21T chainwheel	FA Mid 3-pc hollow Crmo, 175mm, FA 25T chainwheel	FA 3-pc hollow Crmo, 170mm, 25T FA chainwheel	FA 3-pc hollow Crmo, 170mm, 34T FA chainwheel	FA 3-pc hollow Crmo, 175mm, 42T chainwheel	FA 3-pc hollow Crmo, 175mm, 44T chainwheel	FA 3-pc hollow Crmo, 175mm, 44T chainwheel	FA 3-pc hollow Crmo, 175mm, 39T chainwheel	3-pc Alloy Cotterless, 140mm, 36T chainwheel
BB	Mid cartridge bearings, 8 splined, hollow axle	Mid cartridge bearings, 8 splined, hollow axle	3-pc ball bearing, 8-splined	3-pc ball bearing, 8-splined	8-splined axle, Euro cups, cartridge bearings	8-splined axle, Euro cups, cartridge bearings	8-splined axle, Euro cups, cartridge bearings	3-pc ball bearing, 8-splined	Euro square taper axle
Chain	KMC Z410	KMC Z410	KMC Z410	KMC Z410	KMC Z30	KMC Z30	KMC Z410	KMC Z410	KMC Z410
Pedals	Free Agent Platform, Smoke	Free Agent Platform, Smoke	Nylon Platform	Nylon Platform	Alloy platform CrMo axle	Alloy platform CrMo axle	Alloy platform CrMo axle	Nylon Platform	Nylon Platform
Rims	Weinmann F: Viper, R: Bravia D/Wall, 24"	Weinmann F: Viper, R: Bravia D/Wall, 20"	Weinmann F: Viper, R: Bravia D/Wall, 20"	Weinmann Alloy 20"	Weinmann alloy, CNC rear sidewalls	Weinmann Discovery D/Wall R: machined sidewalls	Weinmann alloy	Weinmann alloy	Weinmann alloy
Hubset	FA alloy ft 3/8", alloy rr w/9T driver 14mm axle	FA alloy ft 3/8", alloy rr w/9T driver 14mm axle	FA ft 3/8", alloy rr w/9T driver 14mm axle	FA ft 3/8" axle, rr 14mm axle	FA alloy, Sealed Mech	FA alloy, Cassette	FA alloy, Sealed Mech	Free Agent	Free Agent
Spokes	14G BLK, 36x36	14G BLK, 36x36	14G BLK, 36x36	14G BLK, 36x36	14G Black 36X36	14G Black 32x32	14G Black 32x32	14G Black 32x32	14G Black 28x28
Tires	Kenda K-Rad 24x2.3" ft / 24x1.95" rear	Kenda K-Rad 20x2.125 ft / Kikizumbul 20x1.95 rr street	Kenda K-Rad 20x2.125 ft / Kikizumbul 20x1.95" rr street	Kenda K-Rad 20x2.125 ft / Kikizumbul 20x1.95" rr street	Kenda K-Rad 24x1.95/1.75"	Tioga Power Block 20x1.95/1.6	Kenda Small Block 8 20x1.95/1.75"	Kenda K-Rad 20x2.125 / 1.75"	Free Agent Knobby 20x1.75"
Freewheel/Cassette	9T Driver	9T Driver	9T Driver	14T Freewheel	18T Freewheel	16T Cassette	16T Freewheel	16T Freewheel	16T Freewheel
Brake Levers	Tektro	Tektro	Tektro	Alloy	Free Agent Race	Free Agent Race	Free Agent Race	Free Agent alloy	Free Agent alloy
Brakes	Tektro U-Brake	Tektro U-Brake	Tektro U-Brake	Alloy, U-Brake	Tektro linear pull	Tektro linear pull	Tektro linear pull	Alloy linear pull	Alloy linear pull
Saddle	Free Agent Padded Jump w/8mm rail, low profile	Free Agent Padded Jump w/8mm rail, low profile	Free Agent Padded Jump w/8mm rail, low profile	Free Agent Padded Jump w/8mm rail, low profile	Free Agent Race padded	Free Agent Race padded	Free Agent BMX padded, low profile	Free Agent BMX padded, low profile	FA padded
Seatpost	Free Agent	Free Agent	Free Agent	Free Agent	Free Agent Alloy micro-adjust	Free Agent Alloy micro-adjust	Free Agent Alloy micro-adjust	Free Agent Alloy	Free Agent Alloy
Other Features	Long Linear Cable	Long Linear Cable	Long Linear Cable	Long Linear Cable	Chain Tensioner	Chain Tensioner			
Color	Gloss Black	Satin Black, Flat See Blue	Satin Black, Flat Vegas Red, Gloss White	Satin Black, Flat Orange Pulp	Gloss Black, Flat Plum Tuckered	Gloss Red	Gloss Black, Flat See Blue	Gloss Black, Gray, Sub Lime	Gloss Blue

MODEL	A (HEAD TUBE) ANGLE	B (SEAT TUBE) ANGLE	C (TOP TUBE) MM / INCH	D (SEAT TUBE) MM / INCH	E (CHAINSTAY) MM / INCH	F (BB HEIGHT) MM / INCH	G (STAND OVER) MM / INCH
Team Limo	74	72	533 / 21	280 / 11	389 / 15.3	285 / 11.2	555 / 21.9
Team Limo 24"	73	69	546 / 21.5	300 / 11.8	394 / 15.5	305 / 12	614 / 24.2
Expert	73	71	496 / 19.5	240 / 9.4	358 / 14.1	283 / 11.1	554 / 21.8
Junior	73	70	457 / 18	210 / 8.3	345 / 13.6	293 / 11.5	527 / 20.7
Mini	73	72	431 / 16.9	210 / 8.3	339 / 13.3	278 / 10.9	508 / 20
Micro	73	72	416 / 16.4	210 / 8.3	320 / 12.6	268 / 10.6	506 / 19.9
Lodus	75	72	528 / 20.8	235 / 9.3	347 / 13.7	288 / 11.3	543 / 21.4
Telum	75	72	521 / 20.5	235 / 9.3	347 / 13.7	288 / 11.3	548 / 21.6
Volo	72	70	457 / 18	223 / 8.8	347 / 13.7	268 / 10.6	527 / 20.7
Ratio	74	72	546 / 21.5	265 / 10.4	386 / 15.2	305 / 12	611 / 24.1
Lumen	75	72	521 / 20.5	235 / 9.3	347 / 13.7	288 / 11.3	548 / 21.6
Vergo	75	72	508 / 20	235 / 9.3	347 / 13.7	288 / 11.3	549 / 21.6
Novus	75	72	508 / 20	235 / 9.3	353 / 13.9	288 / 11.3	549 / 21.6
Ambush 24"	73	69	549 / 21.6	315 / 12.4	390 / 15.4	296 / 11.7	632 / 24.9
Speedway	74	72	533 / 21	260 / 10.2	364 / 14.3	296 / 11.7	555 / 21.9
Eluder	74	72	521 / 20.5	260 / 10.2	364 / 14.3	296 / 11.7	556 / 21.9
Maverick	74	72	505 / 19.9	255 / 10	368 / 14.5	296 / 11.7	557 / 21.9
Champ AL	72	72	432 / 17	250 / 9.8	366 / 14.4	246 / 9.7	525 / 20.7
Champ	72	72	432 / 17	250 / 9.8	366 / 14.4	246 / 9.7	528 / 20.8
Speedy	70	72	360 / 14.2	200 / 7.9	322 / 12.7	234 / 9.2	454 / 17.9
Lil' Speedy	70	71	337 / 13.3	170 / 6.7	234 / 9.2	177 / 7	359 / 14.1

International Distributors

ARUBA/DUTCH CARIBBEAN

Tri Bike Aruba
T:+297-585-2734
F:+297-585-0609
tribikearuba@setarnet.aw

AUSTRALIA

Apollo Bicycle Co.
T:+61 (03) 9881 6600
F:+61 (03) 9881 6666
www.apollobikes.com

BRAZIL

Fepase LTDA
T:+55-11-3833-0607
F:+55-11-3833-9013
www.freeagentbmx.com.br
info@fepase.com.br

CANADA

KHS Canada/ACS
T:905-841-7868
www.khscanada.com
info@khscanada.com

CHILE

Eggers y Cia Ltda
T:+56-2-769-4115
www.daski.cl
info@daski.cl

COLOMBIA

Libar S.A.S.
T:+57-1-292-4636
F:+57-1-292-0681
alimu.ventas@etb.net.co
alievanoventas@libarbicicletas.com

COSTA RICA

Bicicletas KHS de Costa Rica S.A.
T:+506-8380-5290
avimil@racsa.co.cr

CROATIA

Keindl Sport
T:+385-1 3708 323
F:+385-1 3708 324
www.keindl-sport.com
info@keindl-sport.com

ECUADOR

Bike Stop
T:+593-2 224 0986
M:+593-9 879 0074
F:+593-2 224 1192
www.bikestop.com.ec
felipe@bikestop.com.ec

FRANCE

USProBikes
T:+33 0970405456
www.usprobikes.com
usprobikes@usprobikes.com

GREECE

Podilatiki Attikis P. & TH Koutousis
T:+30-210-822-0053
koutousi@otenet.gr

HONG KONG

KHS Hong Kong
T:+852-2723-7777
F:+852-2396-8989
www.khs.hk
khs3111@hotmail.com

INDIA

Wheel Sports
T:+91-80-40933354
F:+91-80-26914627
www.wheelsports.in
venkatsport@yahoo.co.in

INDONESIA

Bagus Bike
T:+62-21-537-1115
www.bagusbike.com
info@bagusbike.com

ISRAEL

Motofan/Anavy Nissim
T:+972-9-885-6602
F:+972-9-885-6642
www.moto-ofan.co.il
nissim@moto-ofan.co.il

ITALY

Scout S.n.c.
T:+39-02-9325-6181
www.scoutbike.com
info@scoutsnc.it

JAPAN

KHS Japan
T:+81(0)-42-756-8771
F:+81(0)-42-786-7663
www.khsjapan.com
info@khsjapan.com

LATVIA/LITHUANIA

IKS Sports Ltd
T:+371-6754-5523
F:+371-6754-5537
www.xsports.lv
info@xsports.lv

MALAYSIA

Sen Aik Trading
T:+60-3-3343-1050
F:+60-3-3343-1050
www.senaik.com
info@senaik.com

MEXICO

KHS Bikes Mexico
T:+52 244-445-5872
www.khsmexico.com
ventas@khsmexico.com

THE NETHERLANDS

Meybo Bikes
T:+31-(0)-4923-29010
info@meybo.nl

PHILIPPINES

YKK Trading
T:+63-32-255-8853
F:+63-32-253-8489
www.ykkbikes.com
info@ykkbikes.com

RUSSIA

Sport Academia
T:+7-495-589-9019
F:+7-495-589-9019
www.sportacademia.ru
import@sportacademia.ru
SINGAPORE
Sports Unlimited
T:+65-6456-6833
www.sportsunlimited.com.sg
sportunl@sportsunlimited.com.sg

SOUTH AFRICA

De Wet Sports
T:+27-0-21-551-5228
www.dewetsports.co.za
general@dewetsports.co.za

TAIWAN

KHS Cycle
T:+886 (0)3-386-8852
www.khsbicycles.com.tw
khst@tbnnet.org.tw

THAILAND

Sport Bicycle
T:+66-2320-1521
www.sportbicycle.co.th
tharistree@barawindsor.com

UKRAINE

Leader Bike
T:+38 062-3826168
F:+38 062-3826168
www.leader.dn.ua
leaderfox@donapex.net

UNITED KINGDOM

Reece Cycles Plc
T:+44-121-622-0180
F:+44-121-666-7225
www.reececycles.co.uk
sales@reececycles.co.uk

Free Agent Bicycles • 2840 East Harcourt St. • Rancho Dominguez, CA 90221 • 310-632-7173

Specifications subject to change without notice. Use your head: Always wear a helmet.

Photos courtesy: Mike Carruth, Mike Dies

WWW.FREEAGENTBMX.COM

